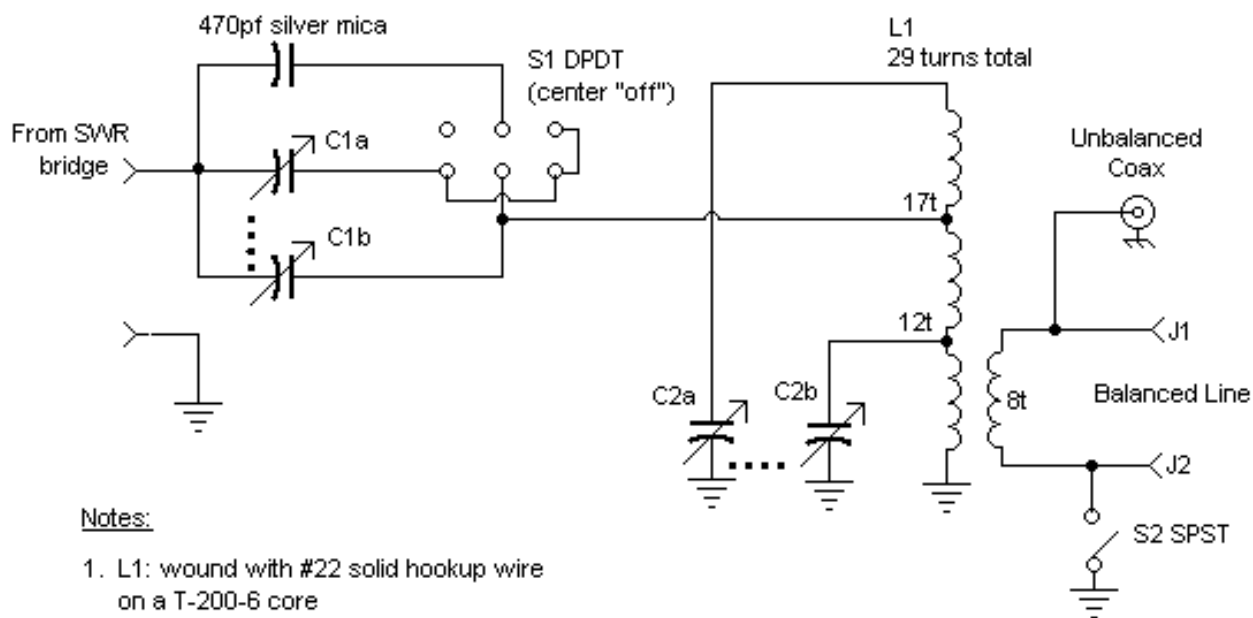
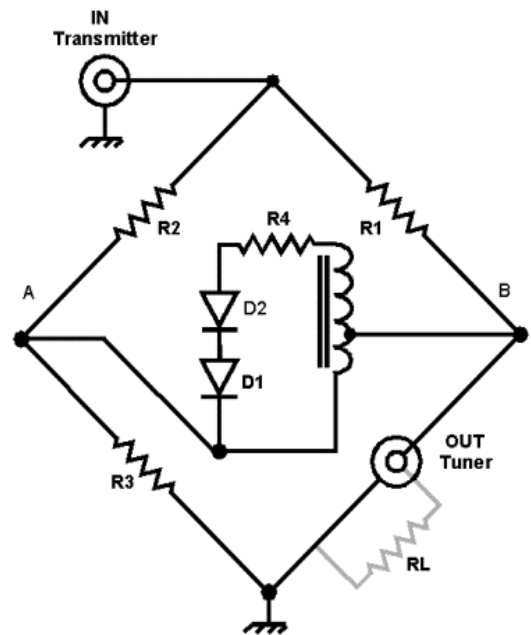
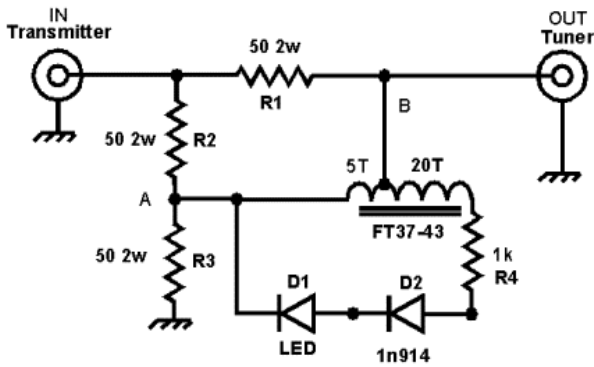


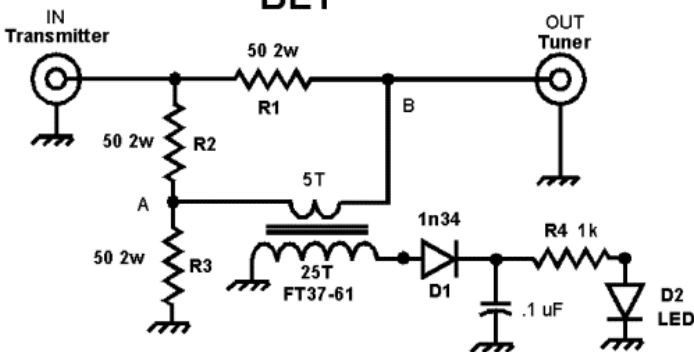
## Z-Match Tuner



## ZM-2



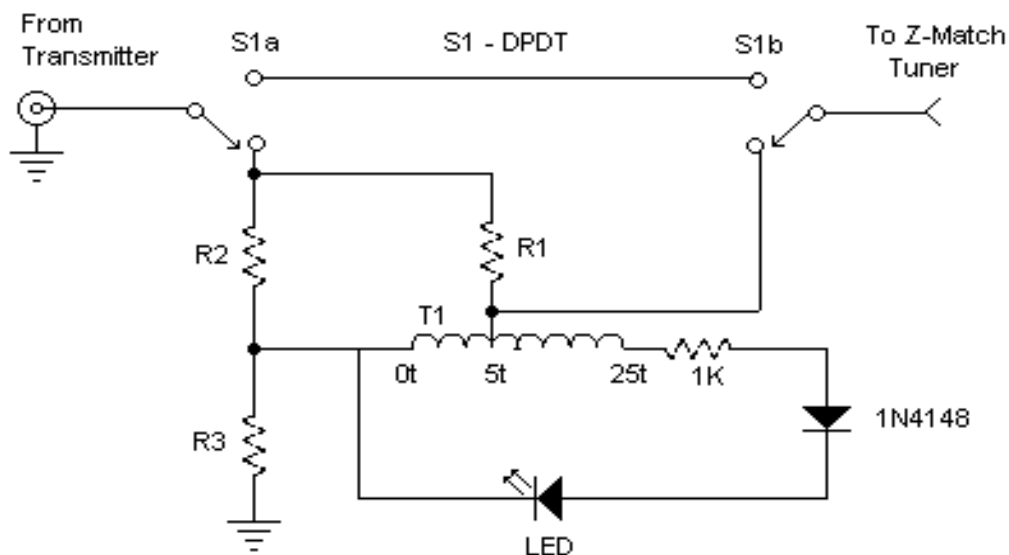
## BLT



## Absorptive Visual SWR Bridge

### SWR BRIDGE

(Based on N7VE design)



#### Notes:

1. R1, R2, R3: Each made from two 100 ohm, 1-watt resistors in parallel
2. T1: 25 turns of #28 enameled copper wire on a T-37-43 core. Tap at 5 turns.

